

Specification

- Flange drilling according to ANSI125/150;DIN2501PN10/PN16;AS2129 Table E;JIS10K ect.
- Working Pressure: PN10;PN16, PN25; PN40, 150LB, 300LB
- Materials: WCB;CF8;CF8M;CF3M ect.

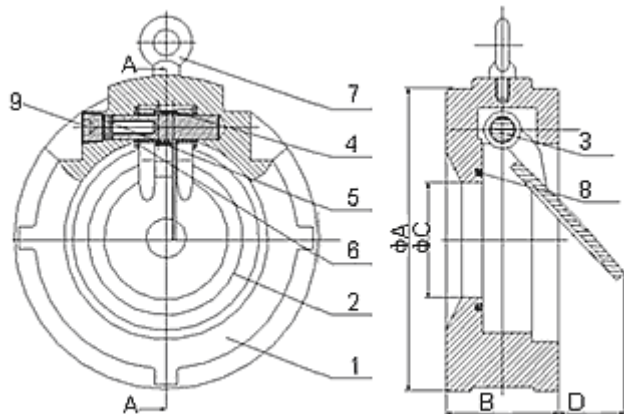
Seats: NBR, EPDM, VITON, PTFE, METAL

Application

- 1.Nominal pressure 1.6Mba
- 2.Sealing test pressure 1.76Mba
- 3.Strength test pressure 2.4Mba
- 4.Working temperture -20&135
- 5.Available medium freshwater seawater sullage food steam, oil acid.alkali etc.

Materials

NO.	NAME	MATERIALS	QUANTITY	REMARK
1	Body	A126B	1	
2	Disc	ZCuZn38Mn2Pb2	1	
3	Stem	SS420	1	
4	Spring	SS410	1	
5	Washer	NBR	1	
6	Gasket	PTFE	2	
7	Dee		1	STD.UNIT
8	Lock ring	NBR	1	
9	Plug		1	STD.UNIT



etc.

Dimensions

DN	A (BS TableD&E)	A (ANSI125&150)	A (DIN2501)	B	C	D	Wt 4kg
50	96	104.8	107	44.5	33.3	28.6	1.8
65	109	123.8	127	47.6	42.9	30.2	2.4
80	128	136.5	142	50.8	52.4	55.6	3.2
100	160	174.6	162	57.2	76.2	74.6	5.4
125	191	196.9	192	63.5	95.3	95.3	7.3
150	212.6	222.3	218	69.9	120.7	114.3	9.2
200	270	279.7	273	73	163.5	155.6	14.6
250	333	339.7	328	79.4	193.7	187.3	23.6
300	380.8	409.6	378	85.7	241.3	222.3	34.4