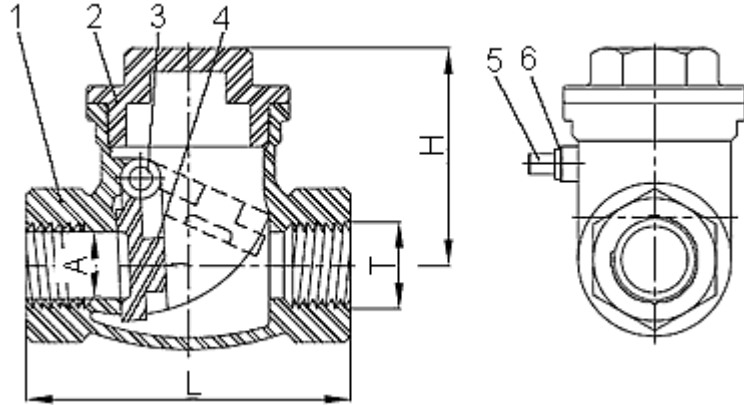


Specification **Features**

- Structre type: Lift Type
- Full Port Pressute Temperature Rating 200 PSI WOG/350 S.P.
- Threaded Ends Conform To: BSPT. BSP. DIN2999

- Investment Casting Body (1/2"-2")
- Inside Screw And Scweded Cap
- Adjustabie Stem Packing
- Swing Type Disc,Integral Seat



Materials

NO.	PARTS	SPECIFICATION
1	BODY	ASTEM A-351 GR.CF8M
2	COVER	ASTEM A-351 GR.CF8M
3	HANDLE PIN	SS316
4	DISC	ASTEM A-351 GR.CF8M
5	PLUG	SS316
6	PLUG GASKET	TEFLON

Dimensions

SIZE	A	H	L	T
1/2"	15	42	65	1/2" PT.NPT or PF
3/4"	20	51	80	3/4" PT.NPT or PF
1"	25	60	90	1" PT.NPT or PF
1-1/4"	32	67	105	1-1/4" PT.NPT or PF
1-1/2"	40	75	120	1-1/2" PT.NPT or PF
2"	50	81	140	2" PT.NPT or PF
2-1/2"	65	93	180	2-1/2" PT.NPT or PF
3"	80	104	200	3" PT.NPT or PF