

Specification

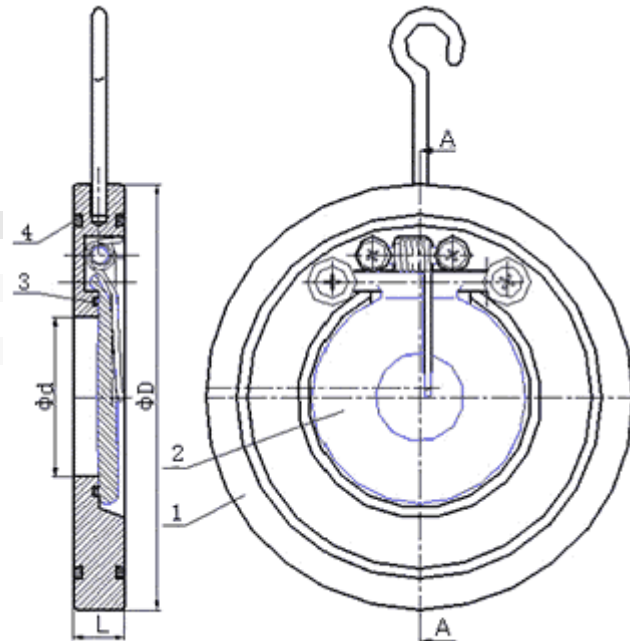
- Flange drilling according to ANSI125/150;DIN2501PN10/PN16;AS2129 Table E;JIS10K ect.
- Working Pressure: PN10;PN16; PN25, PN40, 150LB, 300LB
- Materials: WCB;CF8;CF8M;CF3M ect.
Gaskets: NBR, EPDM, VITON, PTFE, METAL
- Working Temperature: -40deg.C +570 deg.C

Application

Valve is used for preventing the back-going of medium in pipelines and equipments, and the pressure of medium will bring the result of opening and closing automatically. When the medium is back-going, valve disc will automatically closed to avoid accidents.

Materials

POS	Bescheibung	Msterial
1	Body	SS316
2	Disc	SS316
3	Washer	EPDM
4	Gasket	EPDM



Dimensions

DN	L	d	D				kv	kg
			PN6	PN10	PN16	PN25		
40	14	22	88	95	95	95	38	0.8
50	16	32	98	109	109	109	53	1
65	16	40	118	129	129	129	63	1.3
80	17	54	134	144	144	144	146	1.7
100	18	70	154	164	165	170	242	2.2
125	18	92	184	195	195	198	594	3.2
150	20	112	209	220	220	228	877	5
200	22	154	264	275	275	288	1420	11
250	26	192	319	330	332	343	2130	15
300	32	227	375	380	387	403	3215	25