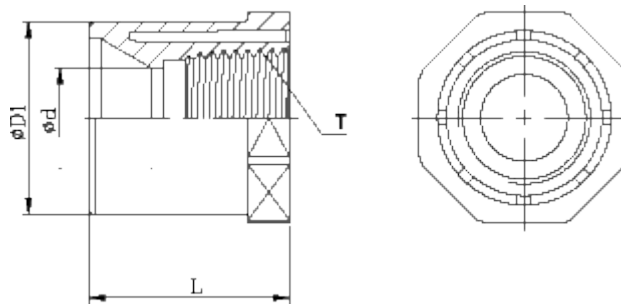


Size	Outside Dia	Socket Type			Structural Diameter			
	D1	d1	d2	l	B	d	L	L1
1/2"x1/4"	21.34	14.02	13.61	19	30	10	29	23
1/2"x3/8"	21.34	17.04	17.45	22	30	12	29	23
3/4"x1/2"	26.67	21.54	21.23	24	30	13	33	27
1"x3/8"	33.4	17.45	17.04	22	36	12	38	30
1"x1/2"	33.4	21.54	21.23	24	36	16	38	30
1"x3/4"	33.4	26.87	26.57	28	36	16	38	30
1-1/4"x1/2"	42.16	21.54	33.27	24.22	46	16	44	35
1-1/4"x3/4"	42.16	26.87	21.23	27.4	46	22	44	35
1-1/4"x1"	42.16	33.66	26.57	30.58	46	28	44	35
1-1/2"x1/2"	48.26	21.54	33.27	24.22	55	16	47	38
1-1/2"x3/4"	48.26	26.87	42.04	27.4	55	22	47	38
1-1/2"x1"	48.26	33.66	21.23	30.57	55	28	47	38
1-1/2"x1-1/4"	48.26	42.42	26.57	34.75	55	35	47	38
2"x1/2"	60.33	21.54	33.27	24.22	70	16	52	42
2"x3/4"	60.33	26.87	42.04	27.4	70	22	52	42
2"x1"	60.33	33.66	48.11	30.58	70	28	52	42
2"x1-1/4"	60.33	42.42	48.11	34.75	70	35	52	42
2"x1-1/2"	60.33	48.56	60.17	37.93	70	43	52	42
2-1/2"x1-1/2"	73.03	48.56	48.11	37.93	80	43	60	48.45
2-1/2"x2"	73.03	60.63	60.17	41.1	80	54	60	48.45
3"x1-1/2"	89.9	48.56	48.11	37.93	80	54	60	48.45
3"x2"	89.9	60.63	60.17	41.1	99	54	65	51
3"x2-1/2"	89.9	73.38	72.85	47.75	99	65	65	51
4"x2"	114.3	60.63	60.17	41.1	125	54	75	60.5

4"x2-1/2"	114.3	73.38	72.85	47.45	125	65	75	60.5
4"x3"	114.3	89.31	88.7	50.63	125	80	75	60.5
6"x4"	168.28	114.76	114.07	60.15	180	100	90	76.5
8"x6"	219.1	168.83	168	79	235	150	120	104.6
10"x8"	273.05	219.64	218.69	105	290	200	148	130
12"x10"	219.1	273.81	272.67	130	345	245	175	155



Size	Outside Dia	Structural Diameter		
	D1	d	L	T
1/2"x1/4"	21.34	10	29	1/4"
1/2"x3/8"	21.34	12	29	3/8"
3/4"x1/2"	26.67	13	33	1/2"
1"x3/8"	33.4	12	38	3/8"
1"x1/2"	33.4	16	38	1/2"
1"x3/4"	33.4	18	38	3/4"