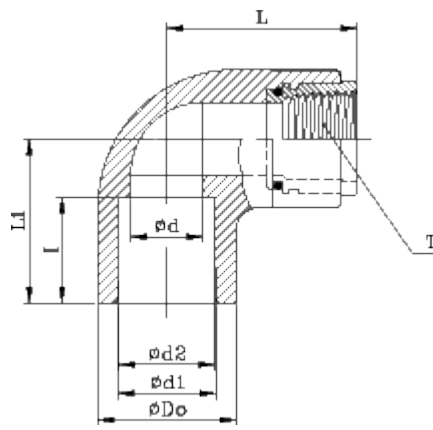
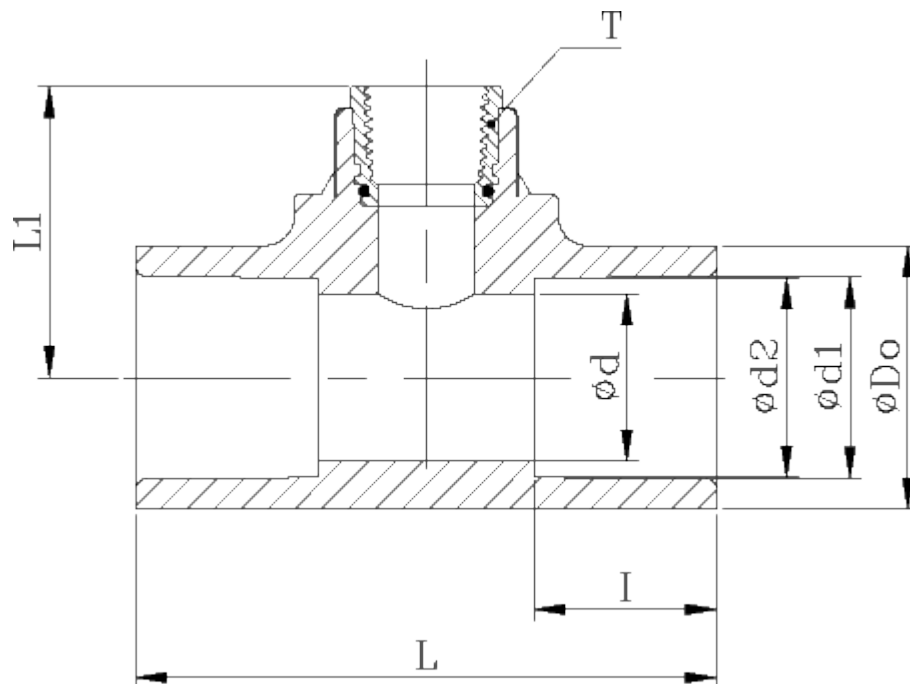


--	Outside Dia	Socket Type			Structural Diameter					
Size	D0	d1	d2	I	d	T	S	L	B	NPT
1/2"	30.5	21.54	21.23	24.22	14	9	18.5	50	36	1/2"
3/4"	35	26.87	26.57	27.40	19	9	14.5	50	41	3/4"
1"	44	33.66	33.27	30.58	24	9	21	59	50	1"
1-1/4"	54	42.42	42.04	34.75	32	9	19	61	60	1-1/4"
1-1/2"	60	48.56	48.11	37.93	38	9	27	72	65	1-1/2"
2"	73	60.63	60.17	41.10	50	10	27	77	80	2"
2-1/2"	88	73.38	72.85	47.45	61	11.5	40	97	95	2-1/2"
3"	105	89.31	88.70	50.63	73	14	41.5	104	115	3"
4"	132	114.80	114.10	60.15	96	14	44.5	116	145	4"



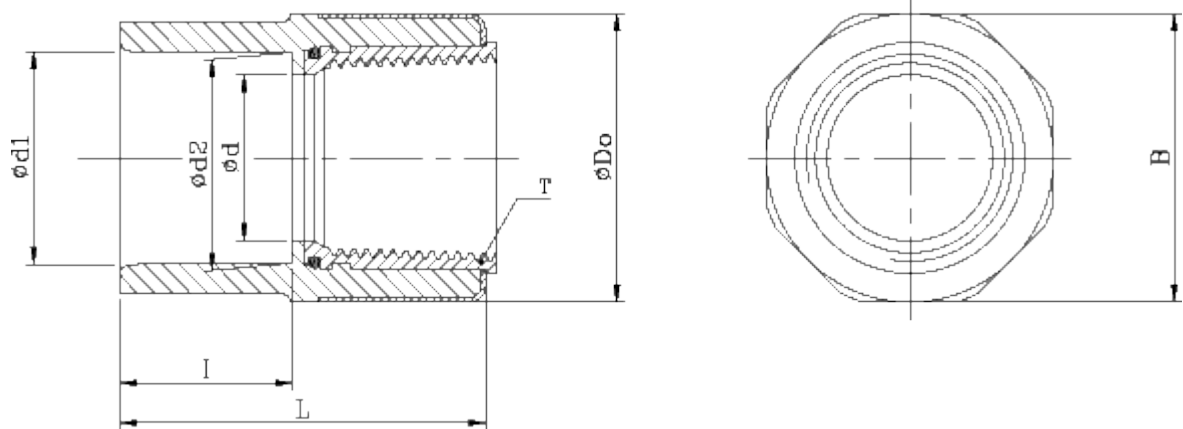
	Outside Dia	Socket Type				Structural Diameter		
Size	D0	d1	d2	l	T	d	L	L1
1/2"x1/2"T	30.5	21.54	21.23	24.22	1/2"	16	42	36
3/4"x1/2"T	35	26.87	26.57	27.4	1/2"	22	36	42
3/4'x3/4"T	35	26.87	26.57	27.4	3/4"	22	36	42
1"x1/2"T	44	33.66	33.27	30.58	1/2"	30	42	49
1"x3/4"T	44	33.66	33.27	30.58	3/4"	30	42	49
1"x1"T	44	33.66	33.27	30.58	1"	30	42	49

ADAPTERY C.D.

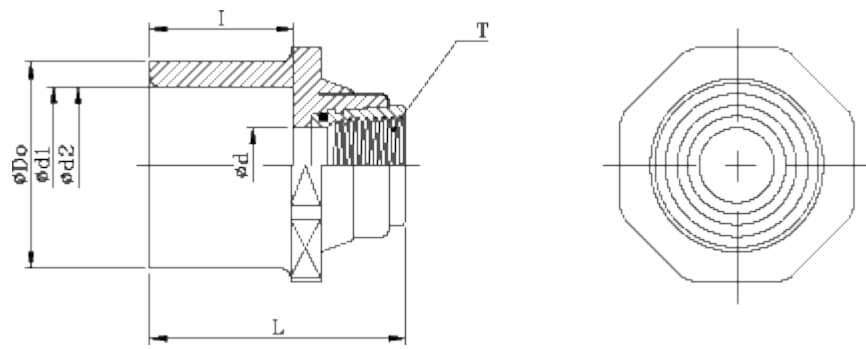


SIZE	Outside Dia	Socket Type			Structural Diameter			
	Do	d1	d2	I	d	L	L1	T
1/2"X1/2"T	30.5	21.54	21.23	24.22	16	70.44	37	1/2"
3/4"X1/2"T	35	26.57	26.87	27.4	22	85	37	1/2"
3/4"X3/4"T	35	26.57	26.87	27.4	22	85	37	3/4"
1"1/2"T	44	33.66	33.27	30.58	28	97	41	1/2"
1"X3/4"T	44	33.66	33.27	30.58	28	97	42	3/4"
1"X1"T	44	33.66	33.27	30.58	28	97	45	1"

ADAPTERY C.D.

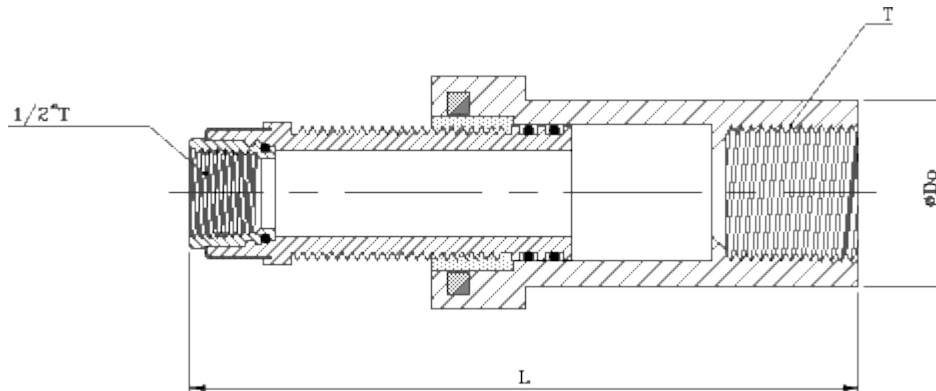


SIZE	Do	d1	d2	l	d	T	L	B
1/2"	30.5	21.54	21.23	19	16	PT 1/2	39	36
3/4"	41	26.87	26.57	27.4	22	PT 3/4	50	41
1"	46	33.66	33.27	30.58	28	PT 1	56	46
1-1/4"	55	42.42	42.04	34.75	35	PT 1-1/4	62	55
1-1/2"	65	48.56	48.11	37.93	42	PT 1-1/2	65	65
2"	77	60.63	60.17	39.6	54	PT 2	68	77

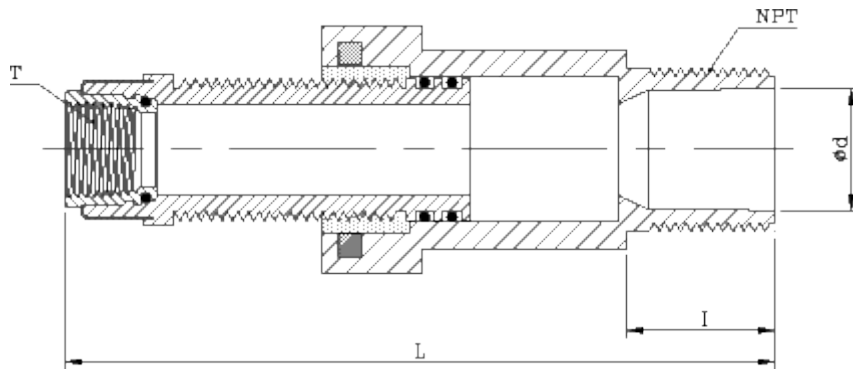


	Outside Dia	Socket Type			Structural Diameter		
Size	Do	d1	d2	l	d	L	T
3/4"x1/2"T	35	26.87	26.57	26	16	50	1/2"
1"x1/2"T	44	33.66	33.27	30.58	16	54.5	1/2"
1"x3/4"T	44	33.66	33.27	30.58	16	54.5	3/4"

ADAPTERY C.D.

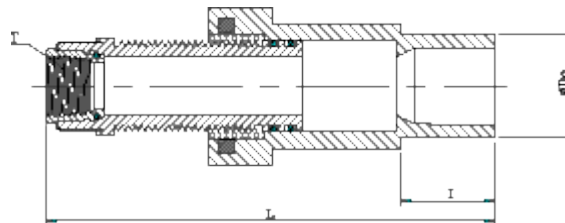


SIZE	Socket Type		L	
	Do	T	min	max
3/4"TX1/2"T	35	3/4"	125	158
1"TX1/2"T	44	1"	125	158

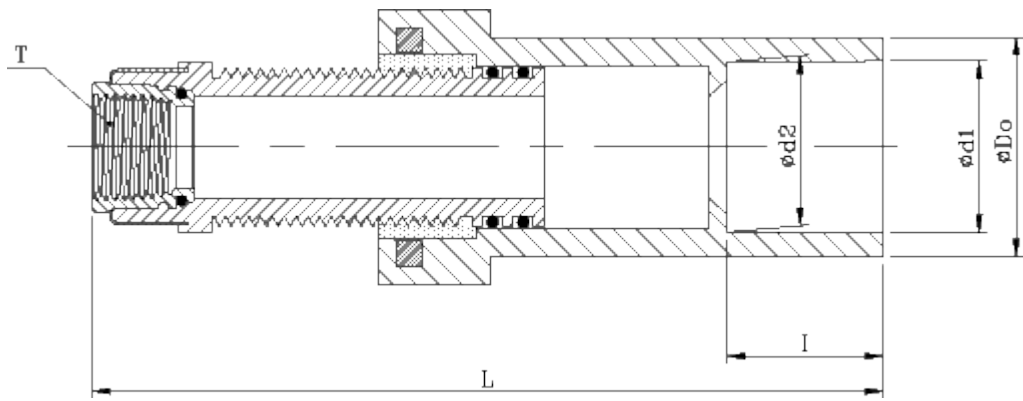


Size	Socket Type				L	
	d	I	T	NPT	min	max
3/4"Tx1/2"T	19	25	1/2"	3/4"	125	158
1"Tx1/2"T	24	28	1/2"	1"	125	158

ADAPTERY C.D.

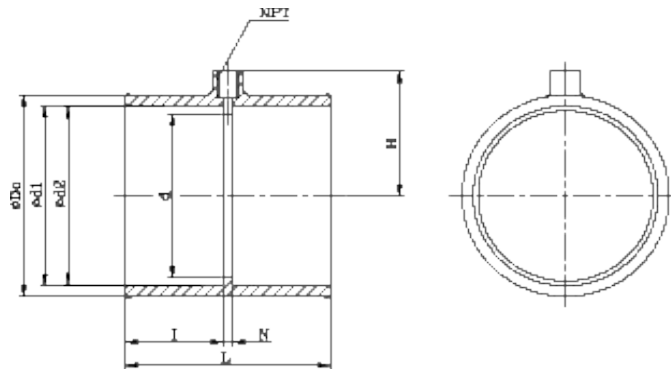


Size	Socket Type			L	
	D0	I	T	min	max
3/4"x1/2"T	26.67	25	1/2"	125	158
1"x1/2"T	33.4	28	1/2"	125	158



--	Outside Dia	Socket Type				L	
		Do	d1	d2	I	T	min
3/4"X1/2"T	35	26.87	26.57	27.4	1/2"	125	158
1"X1/2"T	44	33.66	33.27	30.58	1/2"	125	158

ADAPTERY C.D.



--	Outside Dia	Socket type			Structural Diameter				
		D0	d1	d2	I	d	N	H	NPT
3"	105	89.31	88.70	50.63	80	6.74	77	1/2"or3/4"	108
4"	132	114.80	114.10	60.15	100	5.7	90	90	126
6"	191	168.83	168	79.2	144	10.6	125	125	169
8"	246	219.84	218.69	104.6	200	10.8	153	153	220