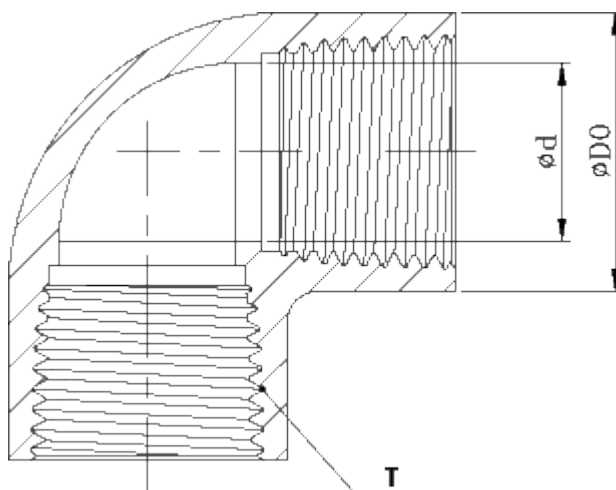
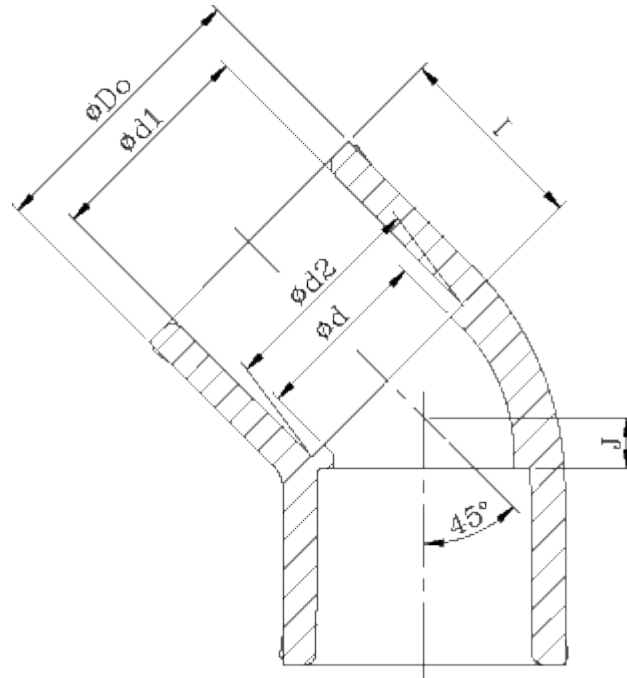


Size	Outside Dia	Socket Type			Structural Diameter	
	D0	d1	d2	I	d	J
1/2"	29	21.54	21.23	24.22	16	13
3/4"	35	26.87	26.57	27.40	22	15
1"	44	33.66	33.27	30.58	28	18
1-1/4"	54	42.42	42.04	34.75	35	23
1-1/2"	60	48.56	48.11	37.93	43	26
2"	73	60.63	60.17	41.10	54	32
2-1/2"	88	73.38	72.85	47.45	65	39
3"	105	89.31	88.70	50.63	80	46.5
4"	132	114.80	114.10	60.15	100	59
5"	162	141.81	141.05	69.60	134	79.4
6"	191	168.83	168.00	79.20	150	89
8"	246	219.84	218.69	104.60	200	115
10"	306.5	273.81	372.67	130.00	240	145
12"	364	324.61	323.47	155.00	290	175



	Outside Dia	Structural Diameter	
Size	D0	d	T
1/2"	29	16	1/2"
3/4"	35	22	3/4"
1"	44	28	1"
1-1/4"	54	35	1-1/4"
1-1/2"	60	43	1-1/2"
2"	73	54	2"



Size	Outside Dia	Socket Type			Structural Diameter	
	D0	d1	d2	l	d	G
1/2"	29	21.54	21.23	24.22	16	6.5
3/4"	35	26.87	26.57	27.40	22	8
1"	44	33.66	33.27	30.58	28	8
1-1/4"	54	42.42	42.04	34.75	35	10
1-1/2"	60	48.56	48.11	37.93	43	12
2"	73	60.63	60.17	41.10	54	16
2-1/2"	88	73.38	72.85	47.45	65	18
3"	105	89.31	88.70	50.63	80	19.5
4"	132	114.80	114.10	60.15	100	26
5"	156.2	141.81	141.05	69.60	134	38.4
6"	191	168.83	168	79.20	150	45
8"	246	219.84	218.69	104.60	200	51
10"	306.5	273.81	372.67	130	240	58
12"	364	324.61	323.47	155	290	63.5