

Specification

Features

Structure:BB,OS&Y

Design standard: API 602 Pressure-Temp: ASTM/ANSI B16.34 Connection End :

Body Material
A105,A350-LF2
A182-F5,A182-F11,A182-F22
A182-F304,A182-F304L,A182-F316,A182-F316L

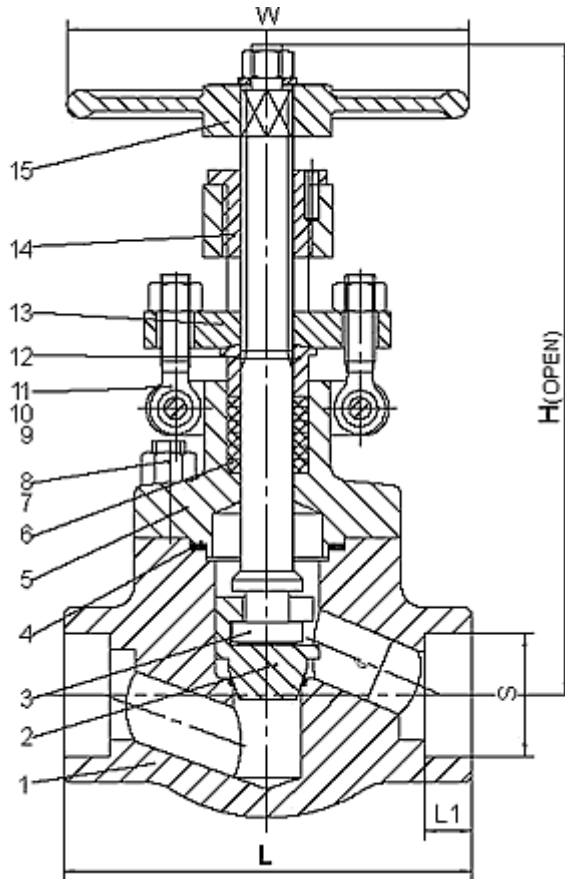
1) Socket Welding as per ANSI B16.11

2) Threaded as per ANSI B1.20.1

Pressure test: API 598

Materials

NO.	Pates Nome	Material
1	Body	A105+13Cr
2	Disc	A105+13Cr
3	Stem	A182 F6
4	Gasket	304+Graphite
5	Bonnet	A105
6	Stem packing	GrAPHITE
7	Bonnet bolt	A193 B7
8	Bonnet nut	A194 2H
9	Pin	A182 F6
10	Gland nut	A194 2H
11	Gland eyebolt	A193 B7
12	Gland	A182 F6
13	Gland Flange	A216 WCB
14	Stem nut	A276 420
15	Hand wheel	A105



Dimensions

ANSI CLASS 800

Size	d	S	L	L1	H	W
1/4"	7	14.3	79	9.7	151	100
3/8"	10	17.7	79	9.7	151	100
1/2"	10	21.8	79	9.7	158	100
3/4"	13	27.1	92	12.7	165	100
1"	18	33.8	111	12.7	195	125
1 1/4"	24	42.6	120	12.7	250	160
1 1/2"	29	48.7	152	12.7	250	160
2"	36.5	61.1	172	15.9	295	180